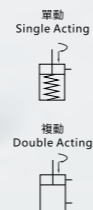
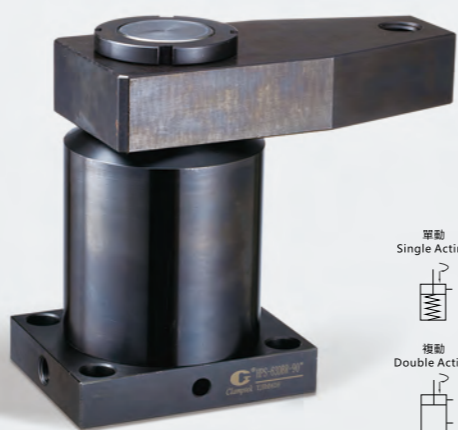


# HPS

## 高壓轉角缸

# HPS HIGH PRESSURE HYDRAULIC SWING CLAMP



### 產品特性

此型式油壓缸適用於夾持工件取放空間保持淨空,方便工件取放高壓夾持。  
油壓缸夾持動作為下壓式,含有旋轉行程(請勿夾持工件)以及垂直下壓行程。本產品使用德製油封及進口零件,缸體內壁經特殊加工處理表面光滑,確保使用性能及壽命。  
最大充油速度請參考特性資料,請勿使用過大充油速度,以免迴轉過快,如有迴轉不確定,請安裝流量控制閥,降低充油速度。

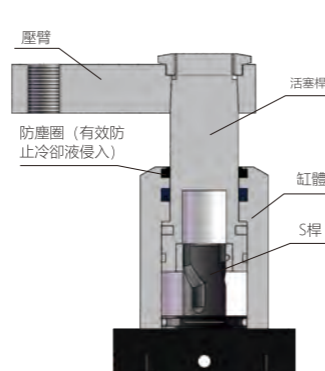
最大操作壓力: 250 kgf/cm<sup>2</sup>  
最小操作壓力: 70 kgf/cm<sup>2</sup>  
作動方式: 單動和複動式

### FEATURES

The series of swing clamp cylinder is ideal for workpiece clamping which requires a sufficient space for convenient workpiece loading and unloading and high pressure clamping. It provides swing motion (do not clamp workpiece) and vertical holds down motion.  
The swing clamp cylinder employs Germany oil seal and imported parts. The inside surface of cylinder barrel is specially treated, featuring maximum smoothness, high performance and long service life.  
For maximum oil feeding speed, refer to specifications. Do not exceed oil feeding speed to avoid too high swing speed. In case improper swing speed occurs, it is suggested to equip with an additional oil flow control valve to reduce oil feeding speed.

Max. operating pressure: 250 kgf/cm<sup>2</sup>  
Min. operating pressure: 70 kgf/cm<sup>2</sup>  
Single acting and double acting

### 剖面圖 Sectional view



### 注意事項

夾緊及放鬆作動速度需適當放緩。  
特殊壓臂長度及重量不得超過標準壓臂的1.5倍。  
壓臂旋轉示意圖及安裝拆卸方式,請參見第4頁。

### NOTE

The acting speed of clamping-unclamping should be slowed down.  
For customized clamp arm, please don't exceed 1.5 times of the original length and weight.  
The methods to mount & remove and the rotation diagram of the clamp arm, please refer to page 4.

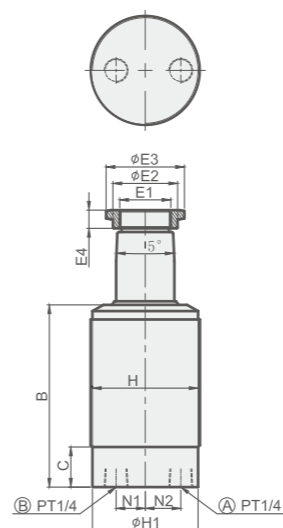
### 訂購標示法 ORDERING INDICATION

示例: HPS - 25SAR-90

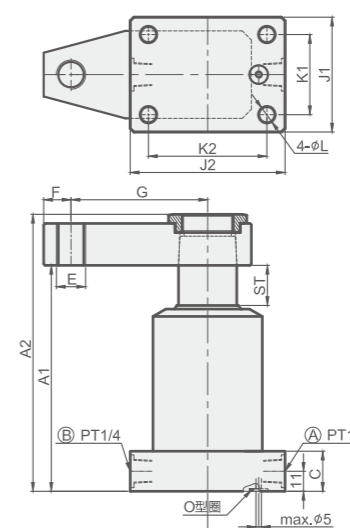
HPS	系列 Series	HPS
25	油缸內徑 Hydraulic cylinder inside diameter	Φ25, Φ32, Φ40, Φ50, Φ63
S	作動方式 Acting type	S:單動式 Single acting D:複動式 Double acting
A	安裝型式 Installation	A: 全牙型 Threaded type B: 配管型 Line type C: 油路板型 Manifold type
R	轉角方向 Swing direction	R: 右轉下壓型 R: Turn right L: 左轉下壓型 L: Turn left
90	轉角角度 Swing angle	標準角度 Standard angle 90°(±2°) 訂做角度 Order angle 30°(±2°), 45°(±2°), 60°(±2°)

### 單動式Single-Acting

#### THREADED TYPE



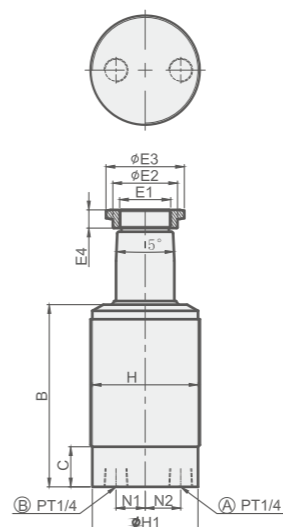
#### FLANGE TYPE



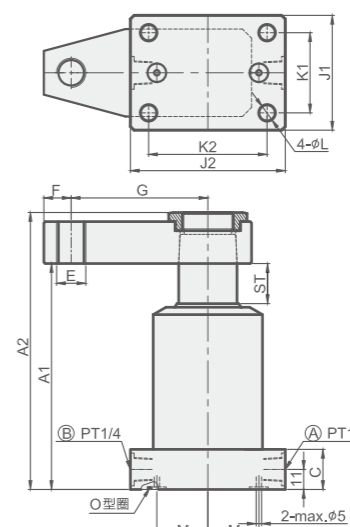
Ⓐ夾持油孔 Clamping port Ⓑ排氣孔 Vent port

### 複動式Double-Acting

#### THREADED TYPE



#### FLANGE TYPE



Ⓐ夾持油孔 Clamping port Ⓑ放鬆油孔 Unclamping port

### 規格參數表 SPECIFICATION

型號	理論夾持力(250 kgf/cm <sup>2</sup> ) CLAMPING FORCE AT 250 kgf/cm <sup>2</sup> (kgf)		轉角行程	夾緊行程	總行程	拉入容積	推出容積	拉入受壓面積	推出受壓面積	使用溫度範圍
MODEL	單動系列 Single acting	複動系列 Double acting	SWING STROKE (mm)	CLAMPING STROKE (mm)	TOTAL STROKE(mm)	CYLINDER CAPACITY CLAMP(cm <sup>3</sup> )	CYLINDER CAPACITY UNCLAMP(cm <sup>3</sup> )	EFFPISTON AREA CLAMP(cm <sup>2</sup> )	EFFPISTON AREA UNCLAMP(cm <sup>2</sup> )	RANGE OF TEMPERATURE(°C)
HPS-25	380	440	9	11	20	3.54	9.80	1.77	4.9	-10~+70°C
HPS-32	650	780	10	13	23	7.20	18.49	3.13	8.04	-10~+70°C
HPS-40	1140	1300	10	12	22	9.94	27.63	4.52	12.56	-10~+70°C
HPS-50	1580	1760	12	15	27	19.09	53.00	7.07	19.63	-10~+70°C
HPS-63	2560	2880	12	15	27	31.16	84.13	11.54	31.16	-10~+70°C

Unit:mm

型號	HPS-25	HPS-32	HPS-40	HPS-50	HPS-63
A1鬆開狀態	109	120.5	124	142	148
A2鬆開狀態	129	146.5	152	176	190
B	87	97	100	113	119.5
C	22	22	22	22	22
E	M10×1.5	M12×1.75	M16×2	M16×2	M20×2.5
E1	M18×1.5	M22×1.5	M28×1.5	M35×1.5	M43×1.5
ΦE2	23.5	28.5	35.5	45.5	54.5
ΦE3	27.7	33.5	43	53.1	63.5
E4	9	10	10	12	14
F	10	12	15	15	18
G	50	65	75	95	120
H	M45×1.5	M52×1.5	M60×1.5	M80×2.0	M90×2.0
ΦH1	43	50	58	78	88
J1	45	53	63	80	90
J2	65	73	85	100	115
K1	30	37	44	60	68
K2	50	57	65	80	90
ΦL	6.5	9	9	13	15
M	15	20	28	31	37.5
N1	13	14.5	16	19	25.5
N2	13	16	19.5	26.5	34
O形圈	P7	P7	P7	P7	P9